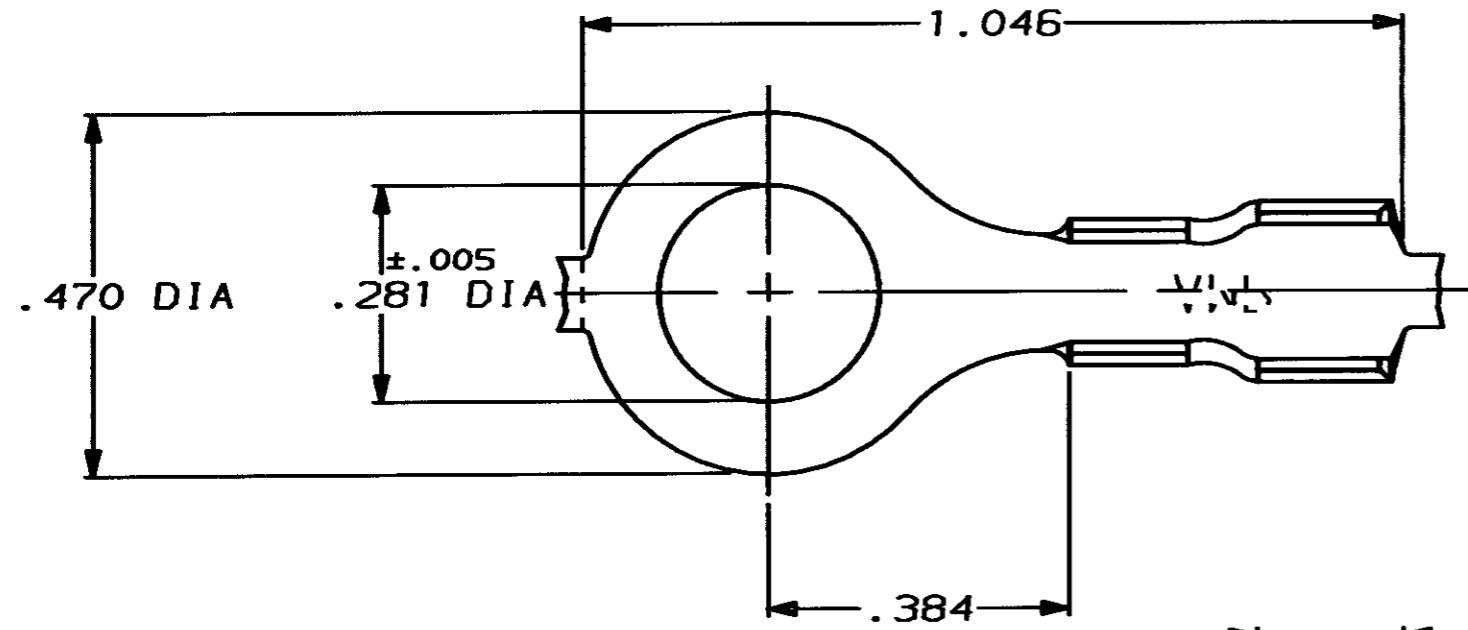
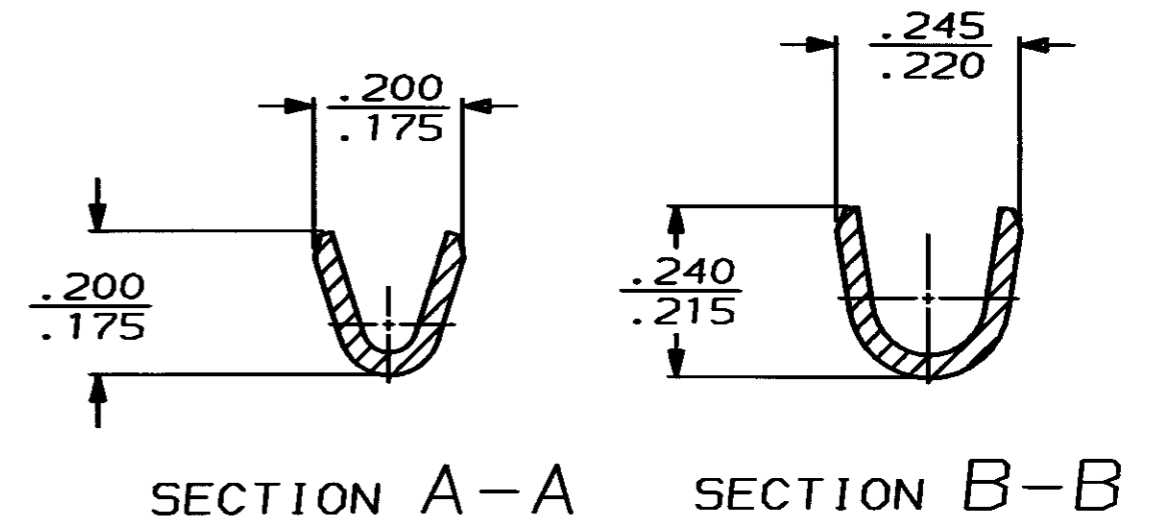
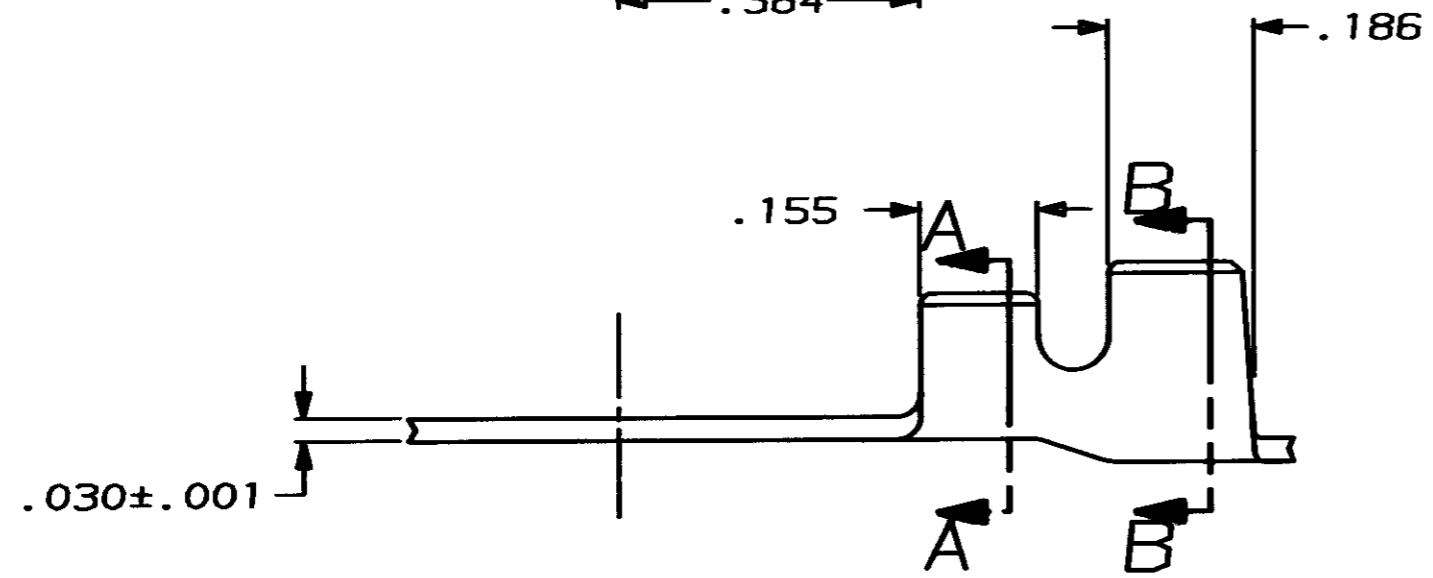


THIS DRAWING IS UNPUBLISHED. RELEASED FOR PUBLICATION .19
 © COPYRIGHT 19 BY AMP INCORPORATED. ALL INTERNATIONAL RIGHTS RESERVED.

LOC	DIST	P	F	ZONE	LTR	REVISIONS	DATE	APPD
AF	50				K	REDRAWN PER AF-6644	4/16/90	PF/JR



1 CONTINUOUS STRIP ON REELS



F or 0	.210	.220	F	.155	.087	14
					.081	16
TYPE	WIDTH	STRIP LENGTH ±.015	TYPE	WIDTH	±.002 HEIGHT	WIRE
INSUL BARREL CRIMP			WIRE BARREL CRIMP			

.000080 MIN TIN PL PER MIL-T-10727		.120-.180 DIA	16-14 AWG	42938-2
FINISH		INSULATION RANGE	WIRE SIZE	PART NO
DO NOT SCALE PRINT. UNLESS SPECIFIED DIMENSIONS IN INCHES TOLERANCES ON: 2 PLC DEC ± - 3 PLC DEC ± .015 ANGLES ± -		AMP Incorporated Harrisburg, PA 17105-3608		
MATERIAL #2 HARD BRASS		NAME RING		
FINISH SEE TABLE		SIZE B	CAGE CODE 00779	DRAWING NO 42938
		SCALE 4:1	SHEET 1 OF 1	